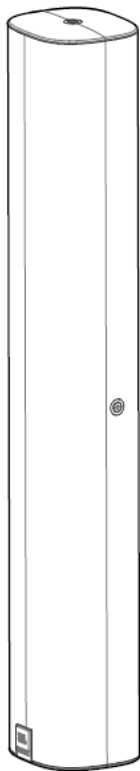




COL Column Speaker Installation Guide



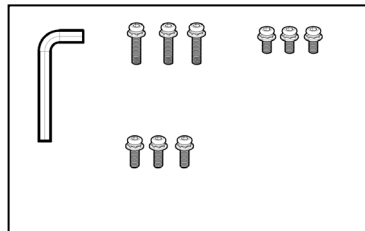
COL 800
JBL-COL800-BK and
JBL-COL800-WH)



COL 600
JBL-COL600-BK and
JBL-COL600-WH)

Included Hardware

(not to scale)



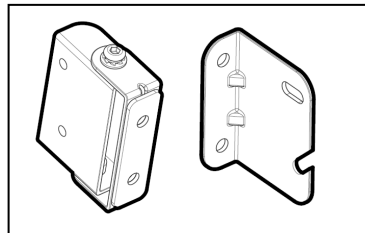
3 pieces M6 x 12 mm bolts with flat washers & lock washers

3 pieces M6 x 20 mm bolts with flat washers & lock washers

3 pieces M6 x 28 mm bolts with flat washers & lock washers

(Note: Flat washers & lock washers are captive on the bolts. One additional of each bolt is provided for backup.)

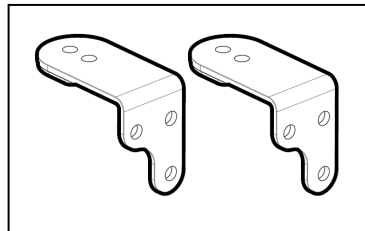
4 mm hex key



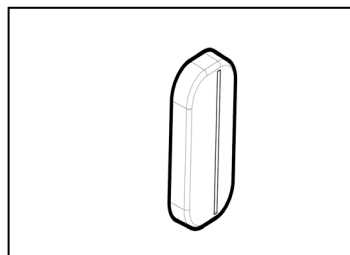
2-part Low-Profile Swivel (Pan) / Tilt
WALL BRACKET ASSEMBLY

Consists of:

- SPEAKER-SIDE of Bracket
- WALL-SIDE of Bracket
- Decorative Trim piece for WALL-SIDE BRACKET (not shown)



2 pieces L-BRACKETS



TRIM COVER (for WALL BRACKET ASSEMBLY)

Important Safety Instructions

1. Please read and keep all safety and user instructions.
2. This product is intended for installation by professional installers only! This document is intended to provide professional installers with basic installation and safety guidelines for this product in typical fixed-installation systems. Please read this document and all safety warnings before attempting installation. Do not attempt to service this product yourself. Refer all servicing to authorized service centers, installers, technicians, dealers or distributors. To contact Harman Professional or to find a dealer or distributor near you, visit <https://www.jblpro.com>.
3. The products must be installed in accordance with local, state, federal and industry regulations. It is the installer's responsibility to ensure installation of the loudspeakers and mounting system is performed in accordance with all applicable codes, including local building codes and regulations. Consult the local authority having jurisdiction before installing this product.
4. Unsafe mounting or overhead suspension of any heavy load can result in serious injury or death, and property damage. It is the installer's responsibility to evaluate the reliability of any mounting method used for their application. Only professional installers with the knowledge of proper hardware and safe mounting techniques should attempt to install any loudspeaker overhead.
5. Do NOT make unauthorized alterations to this product.
6. Only use the mounting hardware supplied with this product.
7. Do not mount on surfaces that are not sturdy, or that have hazards concealed behind them, such as electrical wiring or plumbing. If you are not sure about installing the bracket, contact a qualified professional installer. Ensure the bracket is installed according to local building codes.
8. Do not use hydrocarbon based solvents, lubricants or cleaning agents of any type on or around this speaker, and associated mounting hardware, during installation. The use of such hydrocarbon based lubricants, solvents or cleaning agents on or around the mounting anchors and screws can lead to degradation of the plastic material, possibly resulting in cracking and premature failure of the product.
9. Keep the product away from fire and heat sources. Do NOT place naked flame sources, such as lighted candles, on or near the product.
10. The loudspeaker and all mounting components must be inspected annually by a qualified professional who is trained and certified in suspending loudspeaker systems. All rigging parts and components used in the suspension of the loudspeaker system should be visually inspected for signs of cracking, bending, water damage, corrosion, de-lamination, or any other condition that could compromise the system's integrity and create a dangerous falling hazard.
11. Prolonged exposure to excessive SPL can cause hearing damage! The loudspeaker is easily capable of generating sound pressure levels (SPL) sufficient to cause permanent hearing damage to performers, production crew, and audience members. Caution should be taken to avoid prolonged exposure to SPL in excess of 90 dB.

WATCH FOR THIS SYMBOL:



The exclamation point, within an equilateral triangle, is intended to alert the user to the presence of important operating and maintenance (servicing) instructions in the literature accompanying the product.

WARNING: No naked flame sources – such as lighted candles – should be placed on the product.

CAUTION: To be installed by instructed, or skilled, persons only.

Regulatory Information



This product conforms to all applicable EU directive requirements. The full text of the EU declaration of conformity is available at the following internet address: <https://www.jblpro.com>



This product conforms to all applicable Electromagnetic Compatibility Regulations 2016 and all other applicable UK regulations. The complete declaration of conformity can be found at: <https://www.jblpro.com>



This symbol means the product must not be discarded as household waste, and should be delivered to an appropriate collection facility for recycling. Proper disposal and recycling helps protect natural resources, human health and the environment. For more information on disposal and recycling of this product, contact your local municipality, disposal service, or the shop where you bought this product.

ROHS认证和环保使用年限

部件名称	有毒有害物质或元素					
	铅 (Pb)	汞 (Hg)	镉 (Cd)	六价铬 (Cr+6)	多溴联苯 (PBB)	多溴二苯醚 (PBDE)
电路板	○	○	○	○	○	○
线材	○	○	○	○	○	○
包装材料	○	○	○	○	○	○
金属件	X	○	○	○	○	○
除电路板以外的其他电子件	X	○	○	○	○	○

本表格依据SJ/T 11364的规定编制。

○: 表示该有毒有害物质在该部件所有均质材料中的含量均在SJ/T11363-2006标准规定的限量要求以下。

X: 表示该有毒有害物质至少在该部件的某一均质材料中的含量超出SJ/T11363-2006标准规定的限量要求。



此标识适用于在中华人民共和国销售的电子信息产品。标识中间的数字为环保使用期限的年数。



CAUTION: Installation must be done by skilled persons using safe installation standards.

The COL speaker can be attached to the wall either using the included SWIVEL/TILT WALL BRACKET or using the two included L-BRACKETS.

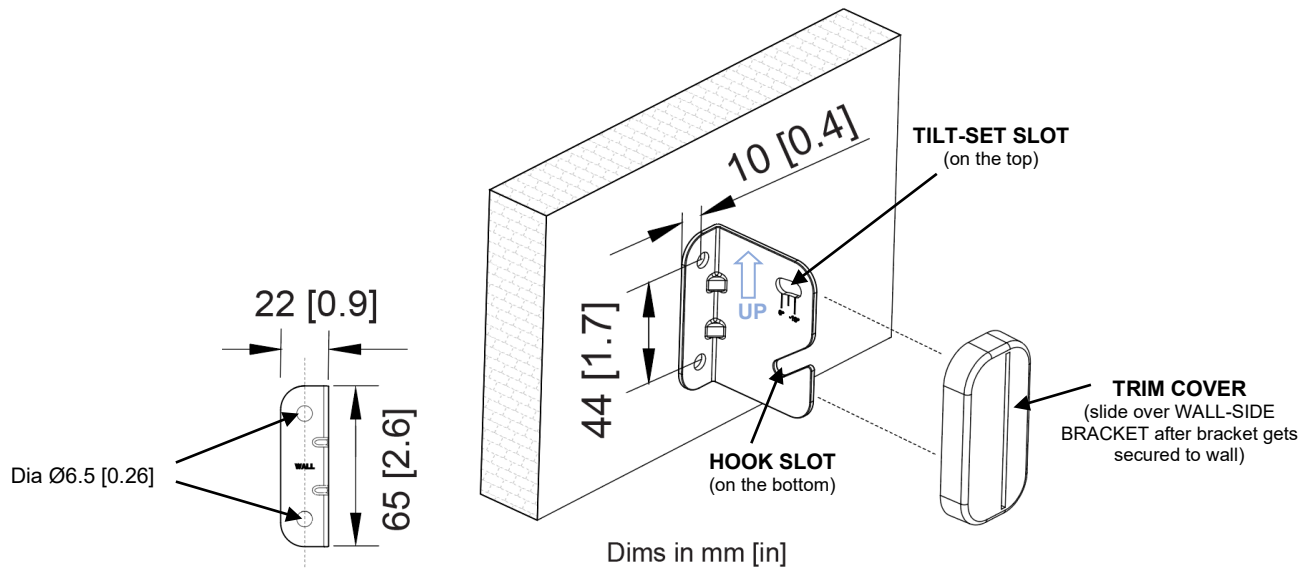
OPTION A: WALL SURFACE MOUNTING VIA INCLUDED SWIVEL/TILT WALL BRACKET

Note that the BRACKET ASSEMBLY consists of a SPEAKER-SIDE and a WALL-SIDE.

1.0) Mounting WALL-SIDE BRACKET:

1.1) Run the wiring from the power amplifier to the location desired for mounting the JBL COL loudspeaker.

1.2) Secure WALL-SIDE BRACKET to wall using the appropriate installer-selected attachment hardware, and using a level to ensure that the WALL-SIDE BRACKET is straight. Use both screw holes of WALL-SIDE BRACKET. Be sure that the TILT-SET SLOT is at the top and HOOK SLOT is at the bottom. After attaching to the wall, slide plastic TRIM COVER over bracket and snug to wall.

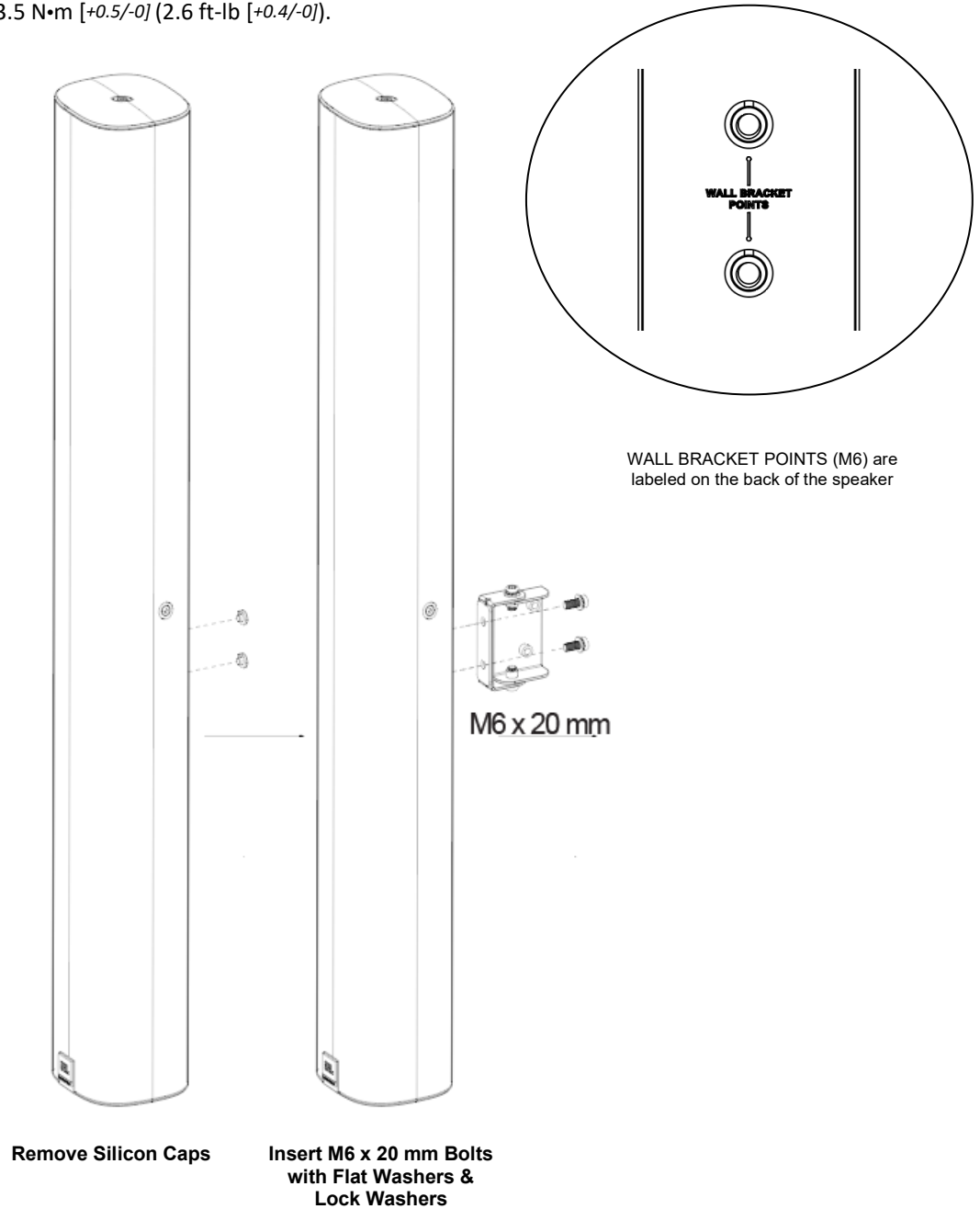


Hardware for attaching WALL SIDE of Bracket to wall is not included. The installer is responsible for proper selection and use of mounting hardware and for properly and safely securing the bracket to the wall material.

2.0) Mounting SPEAKER-SIDE BRACKET to COL speaker:

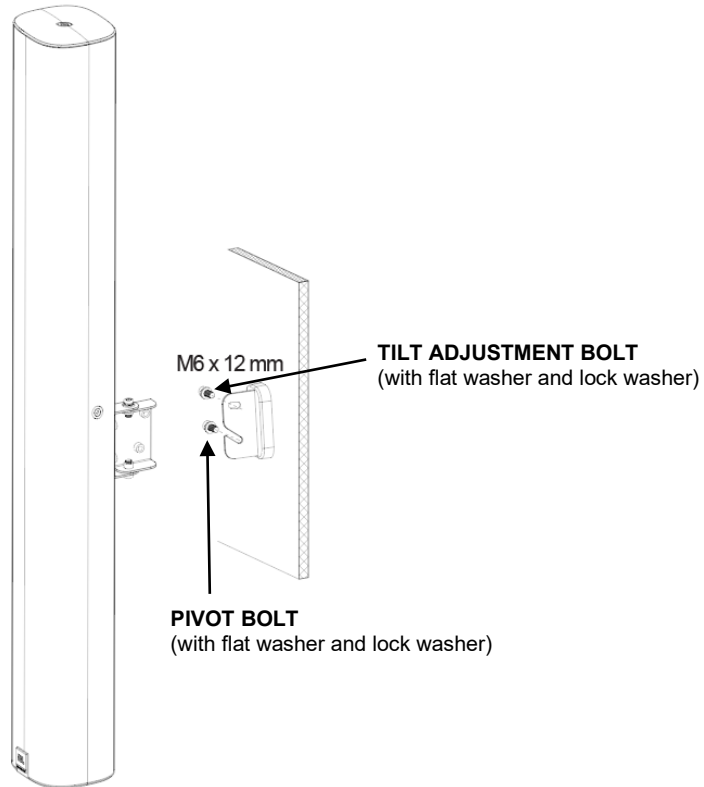
2.1) Identify the COL speaker's two back panel mounting points, labeled on the back panel as "WALL BRACKET POINTS". Remove the silicone caps from those points, exposing the threaded inserts.

2.2) Attach the 2-part SPEAKER-SIDE BRACKET to COL speaker using two **M6 x 20 mm** bolts (with flat washers and lock washers). Recommended — 3.5 N•m [$+0.5/-0$] (2.6 ft-lb [$+0.4/-0$]).



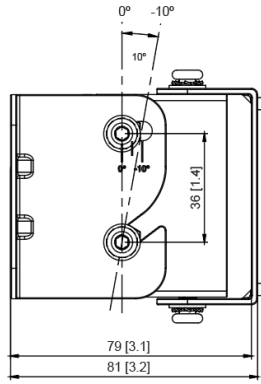
3.0) Connecting SPEAKER-SIDE BRACKET to WALL-SIDE BRACKET to form SWIVEL/TILT BRACKET ASSEMBLY:

- 3.1) After sliding TRIM COVER onto WALL-SIDE BRACKET, loosely thread one of the **M6 x 12 mm** bolts (with flat washer and lock washer) into the bottom PIVOT hole of the SPEAKER-SIDE BRACKET. This bolt becomes the PIVOT BOLT.
- 3.2) Slide COL speaker (with SPEAKER-SIDE BRACKET attached) onto the WALL-SIDE BRACKET, sliding the PIVOT BOLT into the HOOK SLOT of the WALL-SIDE BRACKET. Make sure the flat washer and lock washer are on the same side of the WALL-SIDE BRACKET as the bolt's head (and aren't caught between the two brackets).

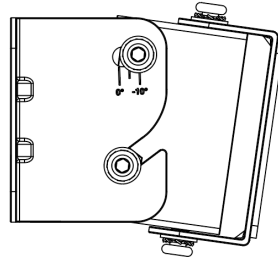


- 3.3) After the column is being held in place by the PIVOT BOLT, insert the other **M6 x 12 mm** bolt (with flat washer and lock washer) through the TILT-SET SLOT and thread it into the press-fit nut that's part of the SPEAKER-SIDE BRACKET.
- 3.4) With both bolts now engaged, tighten them. [Recommended torque 3.5 N•m $[+0.5/-0]$ (2.6 ft-lb $[+0.4/-0]$).
- 3.5) To set a down-tilt aiming angle, loosen both bolts slightly, adjust the tilt of the speaker, and re-tighten the bolts.
- 3.6) To set the swivel (pan), loosen the bolts at the top and bottom of the SWIVEL JOINT, set the swivel (pan), and re-tighten the bolts.

SWIVEL (PAN) / TILT WALL BRACKET ASSEMBLY Dimensions and Settings



0° Dims in mm [in]

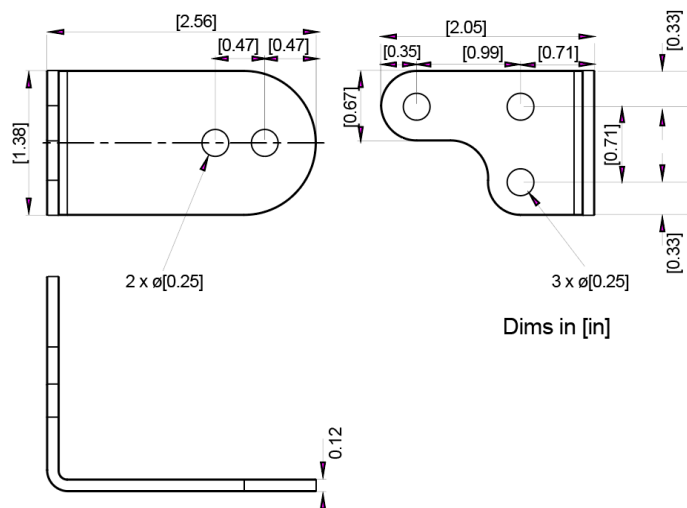
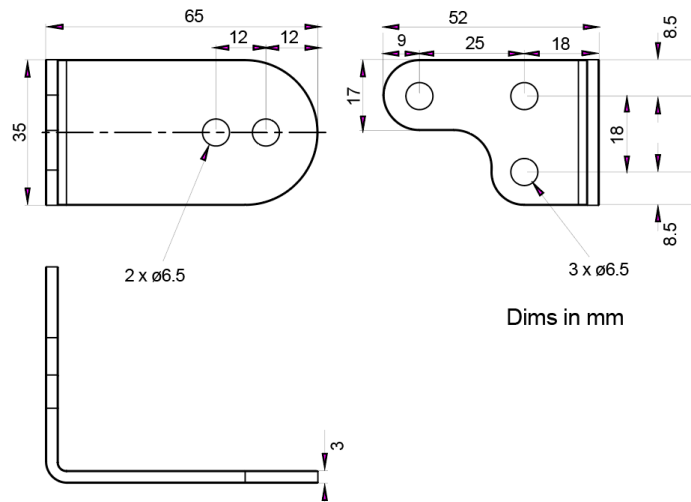


-10°

OPTION B: WALL SURFACE MOUNTING VIA INCLUDED L-BRACKETS

Note that the L-BRACKETS can be attached to either the top and bottom of the speaker (via threaded inserts located on the top and bottom panels) or to the sides of the speaker (via threaded inserts located in the left and right panels of the speaker). The following instructions and drawings are for using the side points.

L-BRACKET Dimensions

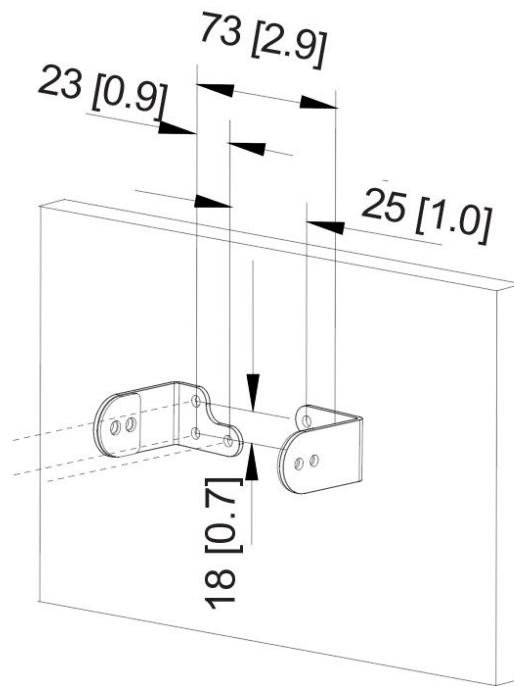


4.0) Install L-BRACKETS to the Wall and Side Insert Points:

- 4.1) Run the wiring from the power amplifier to the location desired for mounting the JBL COL loudspeaker.
- 4.2) Secure L-BRACKET to wall using the appropriate installer-selected attachment hardware, and using a level to ensure that the L-BRACKETS are plumb. Use 3 screws for each L-bracket. For use with side insert points, space brackets so that innermost screws holes are 25 mm apart (adjust as needed).



CAUTION: Installation must be done by skilled persons using safe installation standards.



Dims in mm [in]
(Spacing between brackets
not shown to scale)



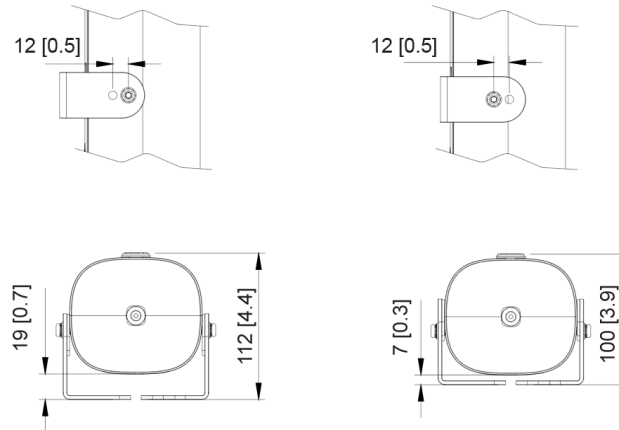
Hardware for attaching L-BRACKETS to wall is not included. The installer is responsible for proper selection and use of mounting hardware and for properly and safely securing the brackets to the wall material.



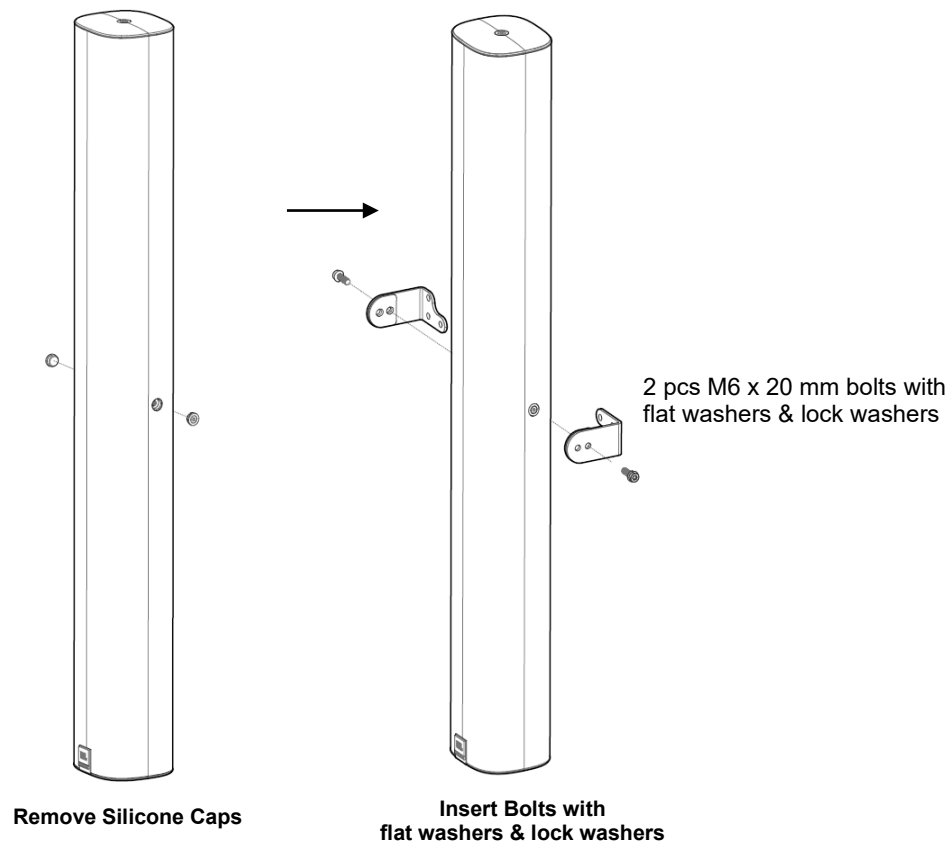
If precipitation can be present at the installation location, cabinet must not be installed at any upward aim angle, and slight downward aim angle (5° or greater) is recommended to keep water out of loudspeaker.

4.3) Remove the silicone caps from over the left-side and right-side threaded insert points, exposing the metal threaded inserts.

Note: There are two holes in the column-end part of each L-BRACKET – one for situating the column closest to the wall and one for spacing farther out from the wall. Select the hole to meet with desired distance from the wall (for example, clearance for cables, or keeping entire distance from the wall below 4 inches in order to comply with ADA).



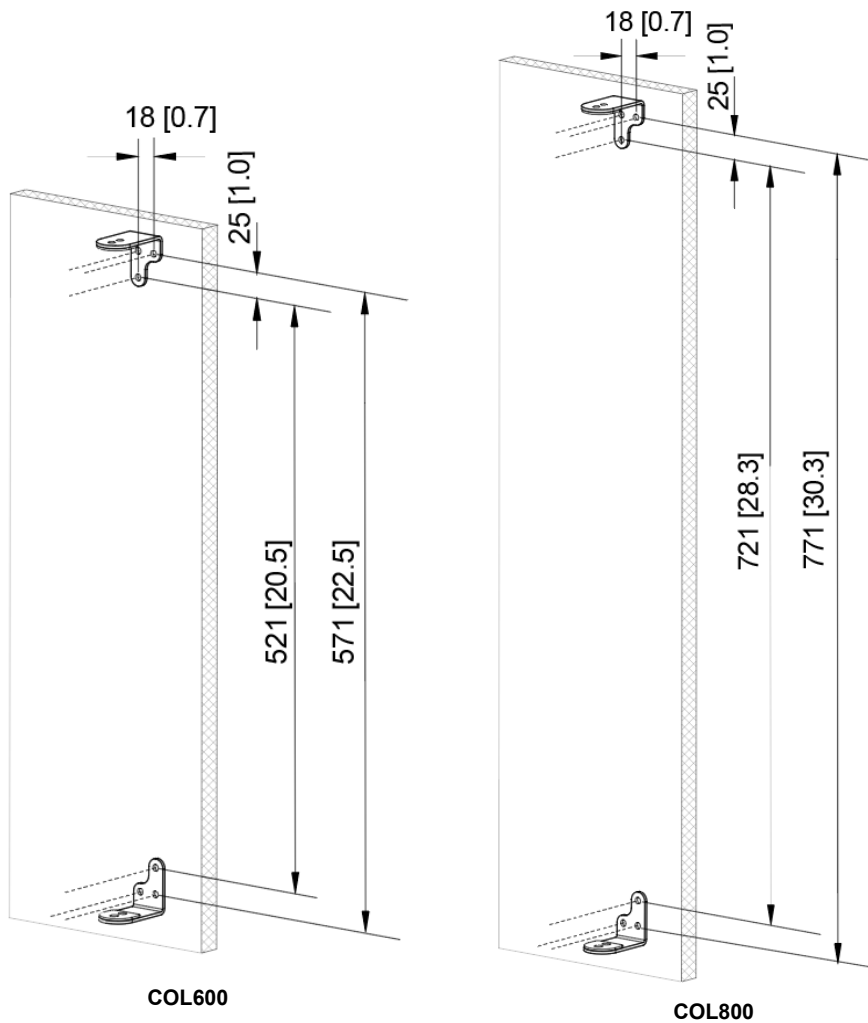
4.4) Use the M6 x 20 mm bolts through the L-BRACKETS and tighten into threaded inserts. Recommended torque 3.5 N•m [+0.5/-0] (2.6 ft-lb [+0.4/-0]).



5.0) Installing L-BRACKETS to the Wall and TOP/Bottom Insert Points:

5.1) Apply same process from 4.1 and 4.2 for running wiring and attaching L-brackets to wall. For use with top and bottom insert points, space brackets so that inner-most screws holes of the L-BRACKETS (wall side) are the following distances apart:

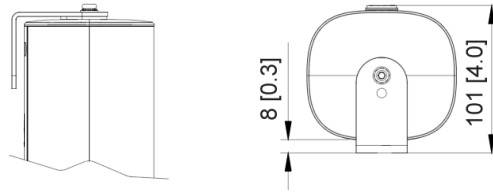
<u>Distance Between Innermost Screws</u>	
COL600	521 mm (20.5 in)
COL800	721 mm (28.3 in)



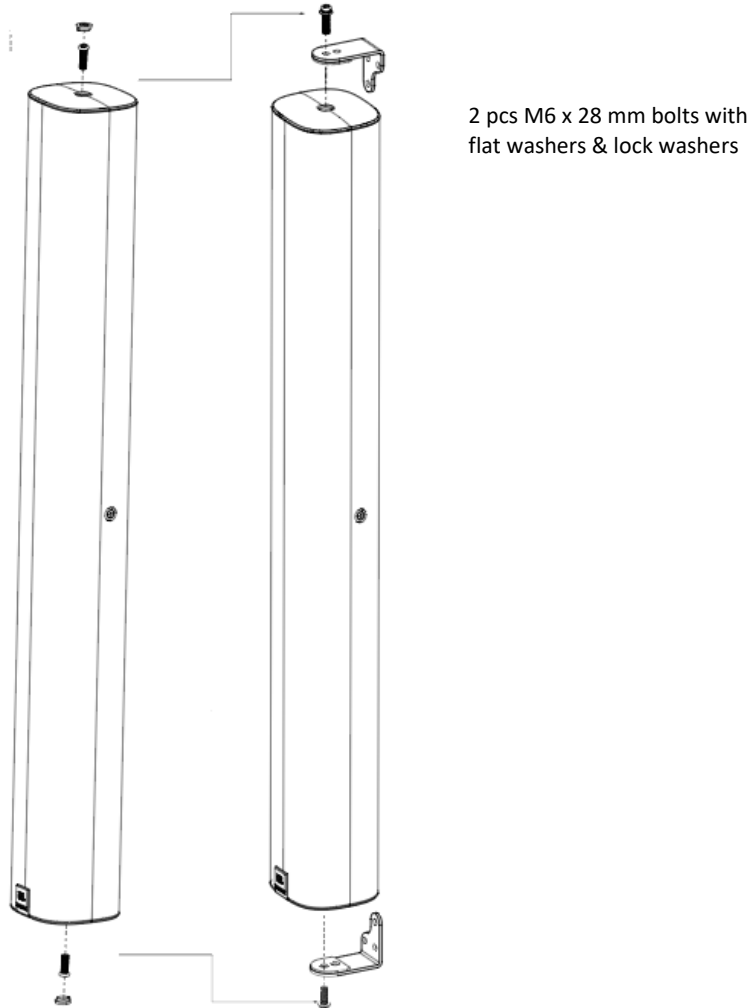
Hardware for attaching L-BRACKETS to wall is not included. The installer is responsible for proper selection and use of mounting hardware and for properly and safely securing the brackets to the wall material.

5.2) Remove the silicone caps from over the top and bottom threaded insert points and remove the bolts that are holding the end caps, exposing the inserts (these removed bolts will not be re-used).

Note: There are two holes in the column-end part of each L-BRACKET. For the top and bottom points on the speaker, the **outer-most** BRACKET hole must be used.



4.3) Use the **M6 x 28 mm** bolts through the L-BRACKETS, swivel aiming of the speaker (if desired), and tighten the bolts. Recommended 3.5 N.m +0.5/-0 N.m (2.6 ft-lb +0.4/-0)



Remove Silicon Caps & Bolts
(removed bolts hold the end-caps in place)

Insert M6 x 28 mm Bolts
(new bolts must also hold the end-caps in place)

COMPLETING THE INSTALLATION

6.0) SECONDARY SAFETY CABLE -- Attach a properly load-rated safety cable (not included) to the back-panel M6 threaded insert point on the back panel marked "Safety Cable," using hardware that does not incur interference with the wall. Attach the other end of the safety cable to a secure independent attachment point on the building structure. Keep the safety cable as short as possible without pulling on the cabinet or ratting against the cabinet.

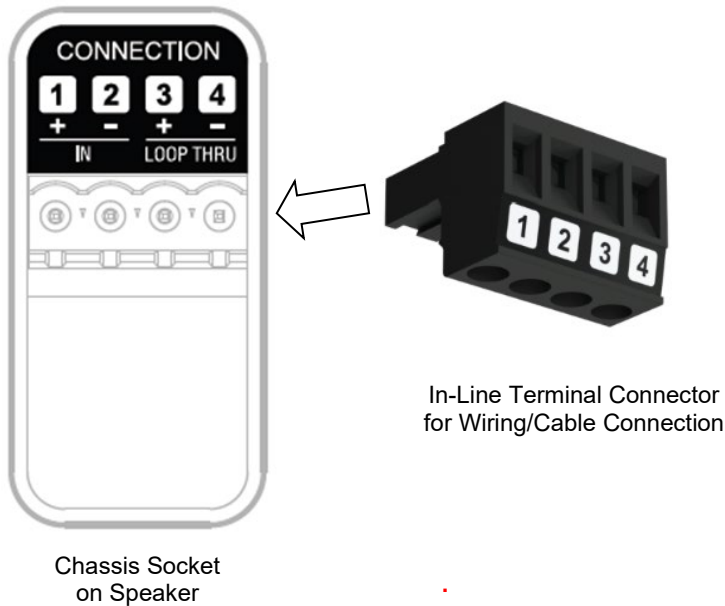


7.0 WIRING THE SPEAKER

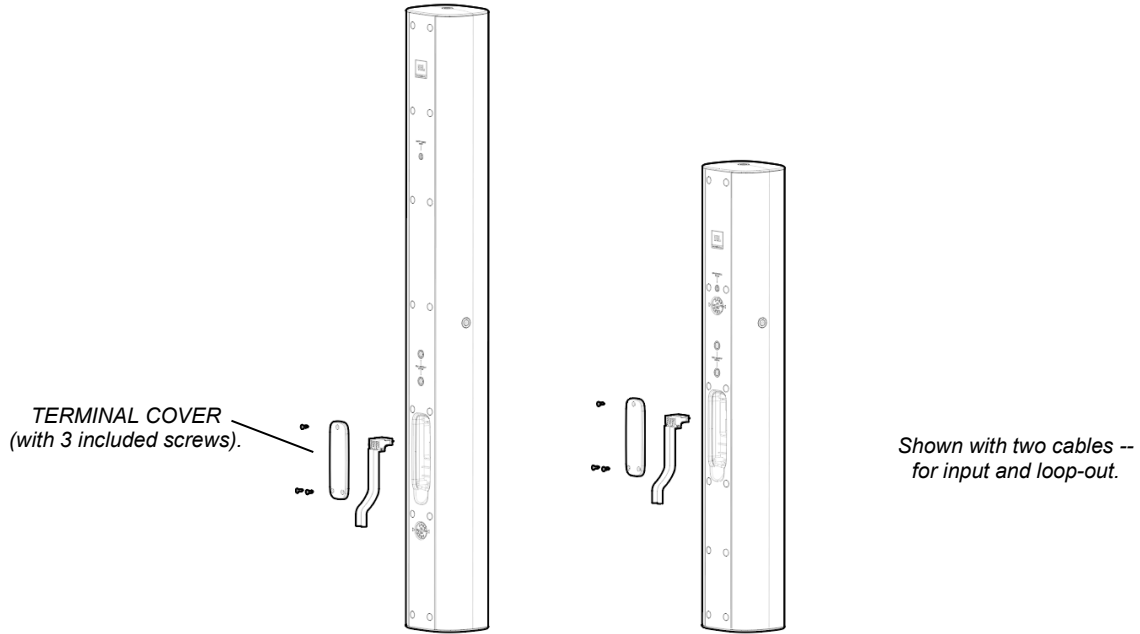
7.1 – Select proper gauge speaker cable. Utilize a reliable reference to select the proper gauge speaker cable, keeping in mind the total number of speakers that may be looped in the circuit run, and what their tap settings are. Maximum outside diameter of cable is 8.0 mm (0.31 in).

7.2 – Included 4-pin pluggable terminal connector – Connect wires securely to in-line terminal connector.

Terminals – The 4-pin Euroblock connection for bare wire and includes pins for + and – input and for + and – loop out. Accepts 20 to 14 gauge wire (0.25 to 2.5 sq mm).



7.3 TERMINAL COVER – Remove the TERMINAL COVER, plug in-line terminal connector into chassis socket. Run wire(s) downward and re-attach terminal cover using 3 included screws, making sure pressure insert (for resistance against water ingress) presses down on wires. The TERMINAL COVER may be left off if no resistance against water is needed.



8.0 REFERENCE

8.1 GUIDE: Maximum Speakers Per Circuit Run – For systems where the wiring is looped through to subsequent speakers, the terminals support a maximum of 20 Amps of current for the input plus the loop out. As long as the cable gauge is large enough to support the current, the following chart shows the maximum number of speakers per cable run that the terminals support, based on: a) whether the speakers are set to low-impedance (8Ω) or high-impedance (*ie, set at a Tap*), and b) if high impedance, what Tap the speakers are set at.

Notes:

- 1) The speaker cable gauge needs to also be able to support the number of speakers connected in looped-out circuit.
- 2) For combinations of tap settings, system designer must compute the total current draw and ensure that it stays under 20A.
- 3) Total impedance must stay above the minimum impedance capability of amp channel.
- 4) Total power connected must be below the maximum power capability of amp channel.

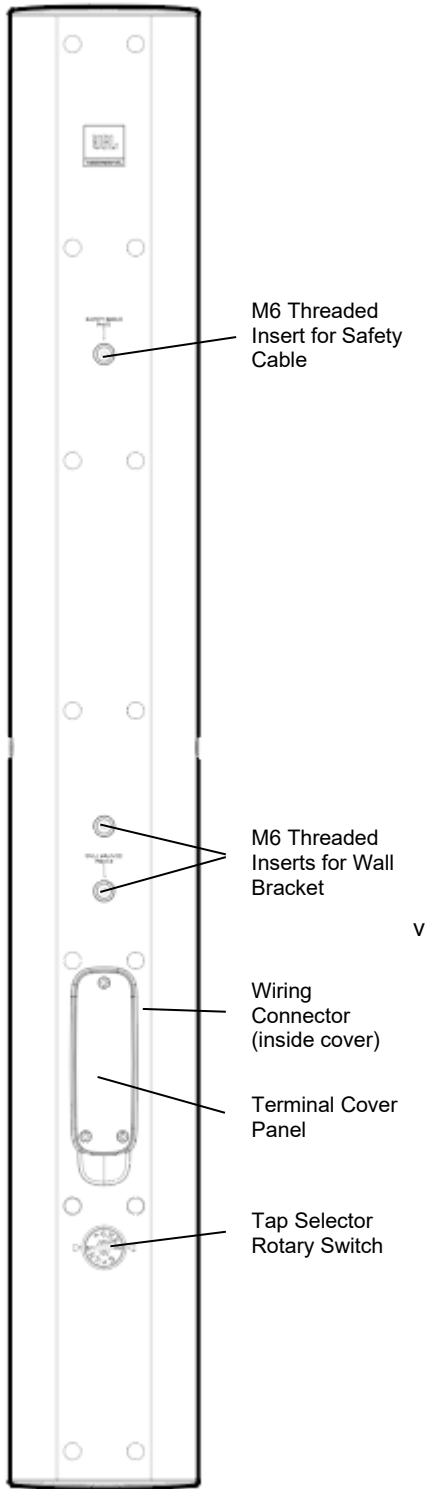
COL600

- Low-Impedance (8Ω)** – Maximum 6 speakers
- 20W Tap** – Maximum 70 speakers
- 10W Tap** – Maximum 141 speakers
- 5W Tap** – Maximum 282 speakers
- 2.5W Tap (70V only)** – Maximum 564 speakers

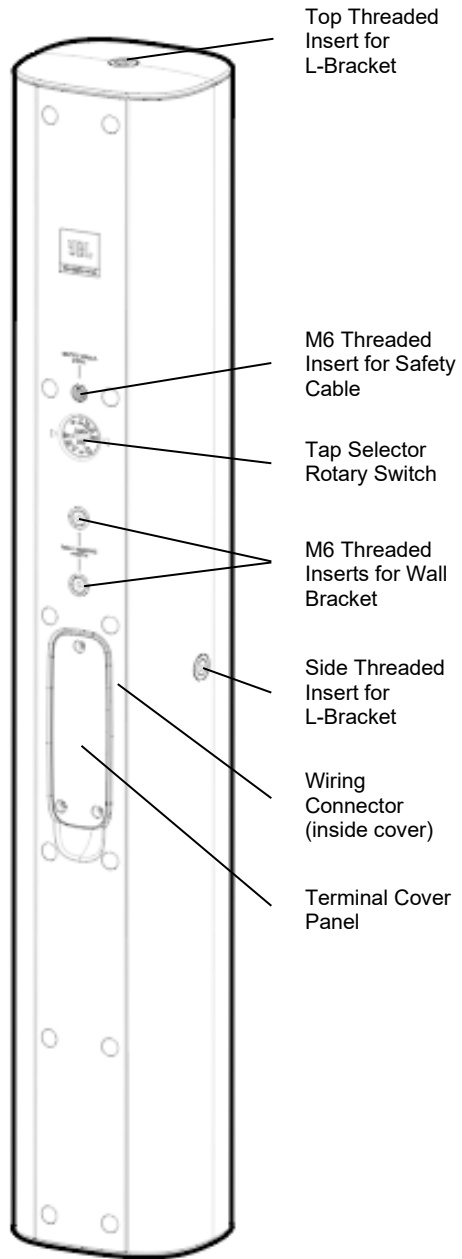
COL800

- Low-Impedance (8Ω)** – Maximum 4 speakers
- 60W Tap** – Maximum 23 speakers
- 30W Tap** – Maximum 47 speakers
- 15W Tap** – Maximum 94 speakers
- 7.5W Tap (70V only)** – Maximum 188 speakers

8.1 GUIDE: Back Panel Drawings



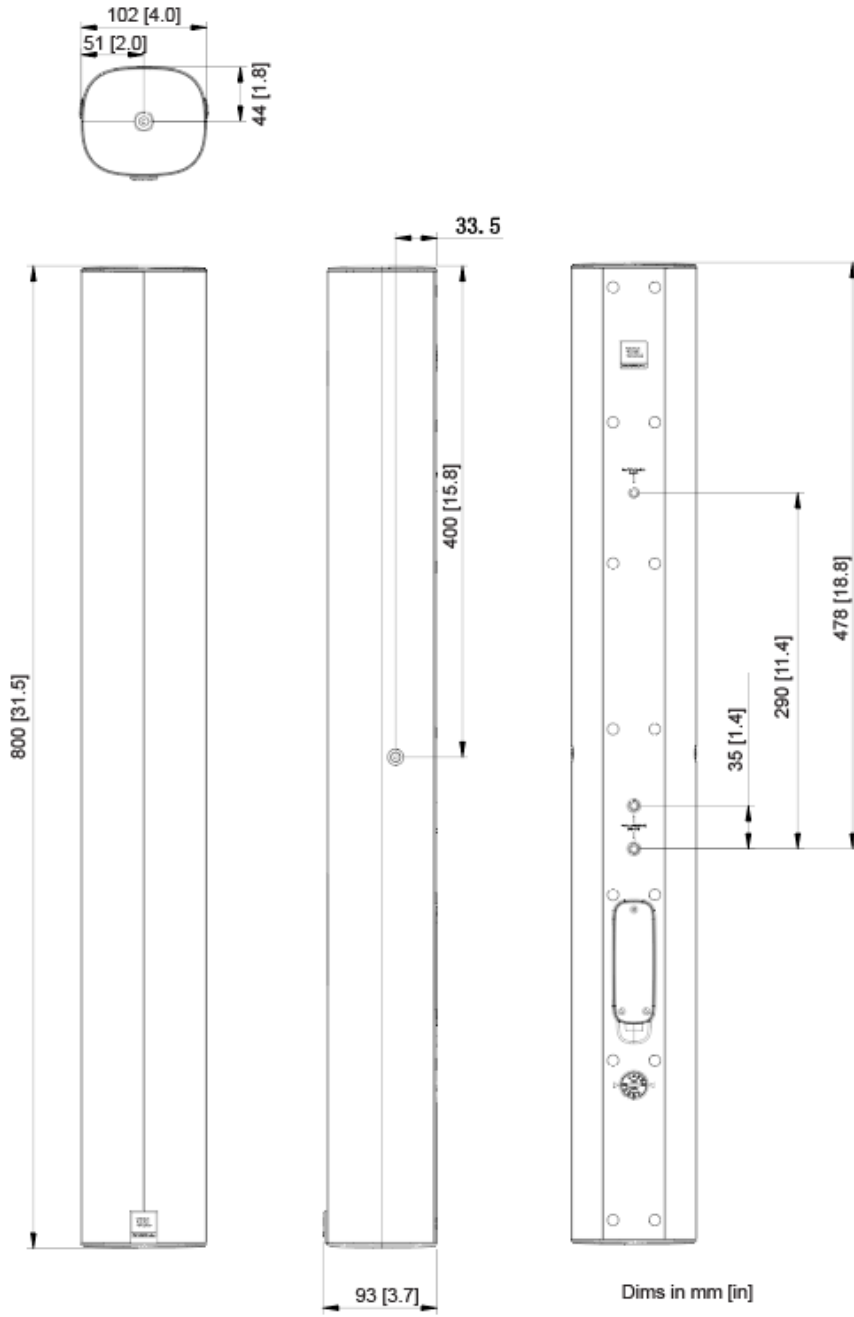
COL 800



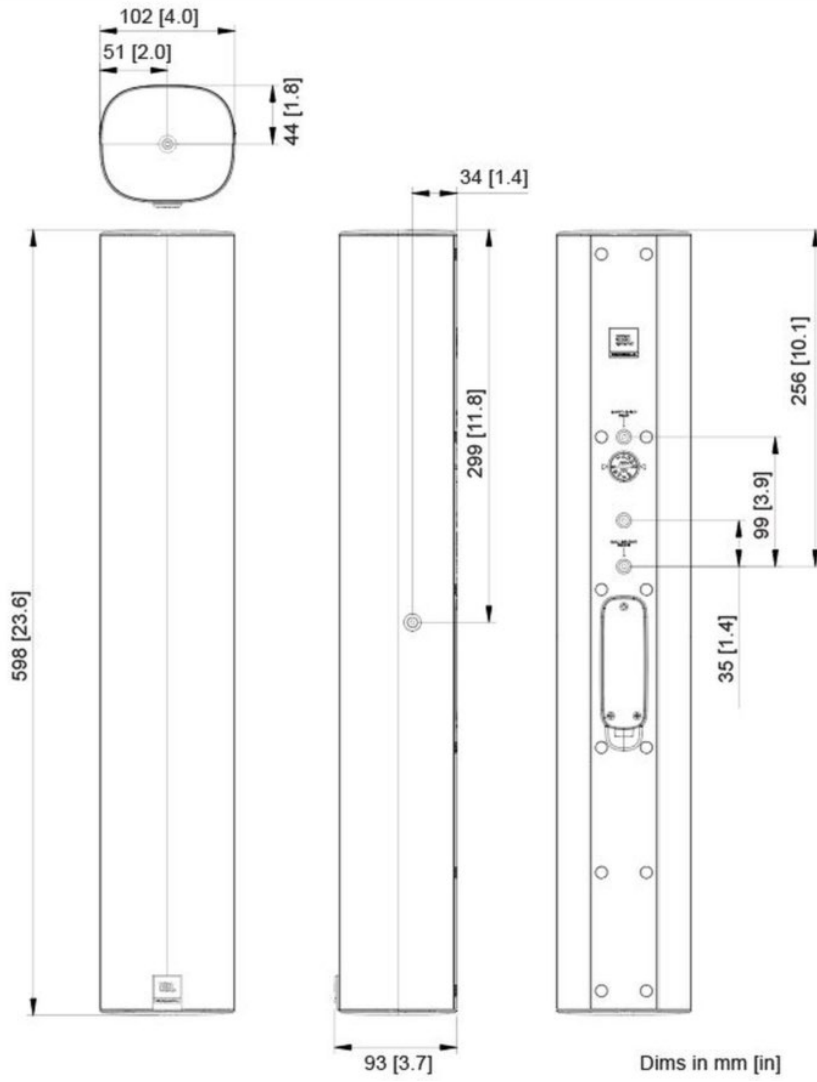
COL 600

8.2 GUIDE: Dimensions

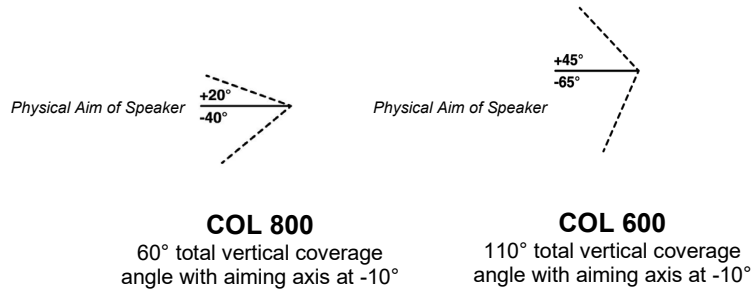
COL 800



COL 600



8.3 GUIDE: Down-Tilt Aiming and Coverage – The COL speakers incorporate a 10° downward tilt to dispersion aim, allowing for coverage of most listening areas without requiring physical down-tilting of the cabinet:



JBL Professional | 8500 Balboa Blvd. | Northridge, CA 91329

COL Install Guide
05/2023